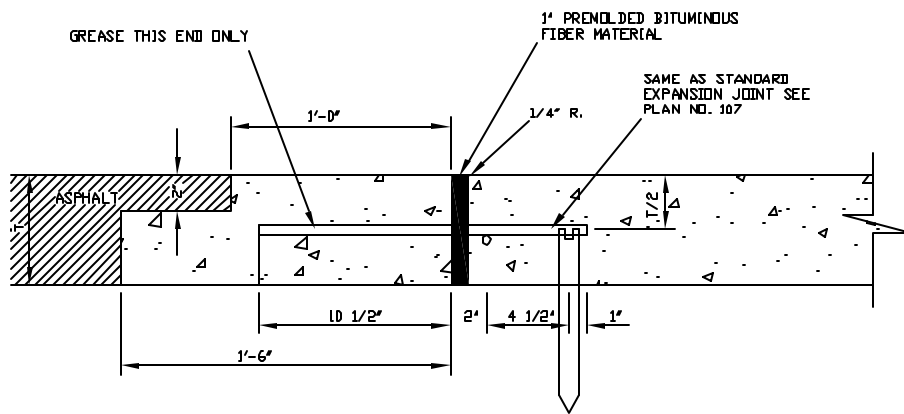


STANDARD CONCRETE HEADER FOR DIRT RETURN



STANDARD CONCRETE HEADER FOR ASPHALT RETURN