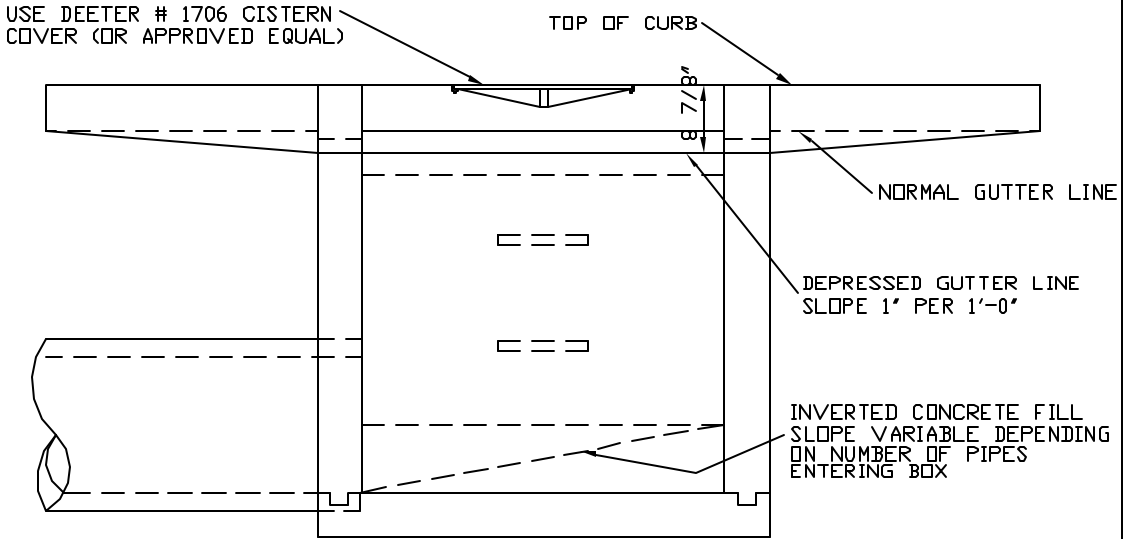
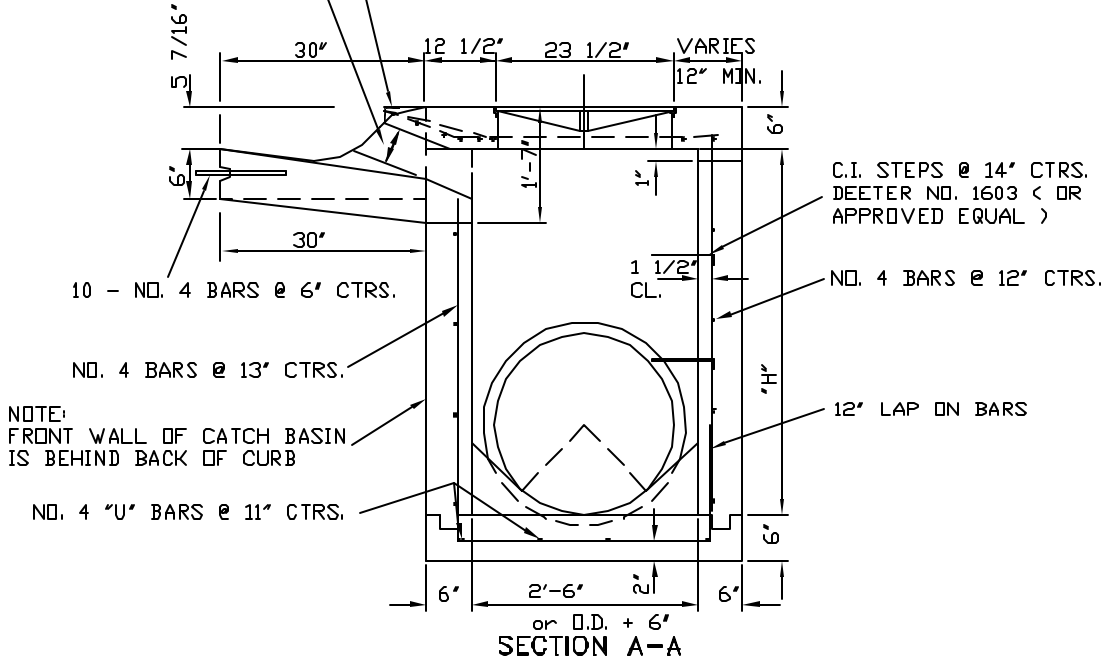


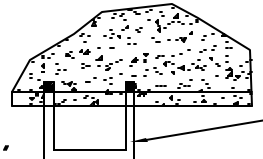
GUTTER OPENING 5' +- 1/4'

3"x2"x3/8" L-5' LONG (GALVANIZED) WELDED TO # 4 REBAR IN SLAB AS SHOWN IN REBAR DETAIL. GUTTER TO BE 9 1/8' +- 1/4' BELOW TOP CORNER OF LIP AT THIS POINT



SECTION B-B

NOTE:  
STEPS TO BE MIN. 18'  
FROM FLOOR & MIN. 18'  
DOWN FROM TOP



CAST IRON STEP DEETER NO. 1603  
(OR APPROVED EQUAL)

STEP INSTALLATION DETAIL REVISED 9/9/81